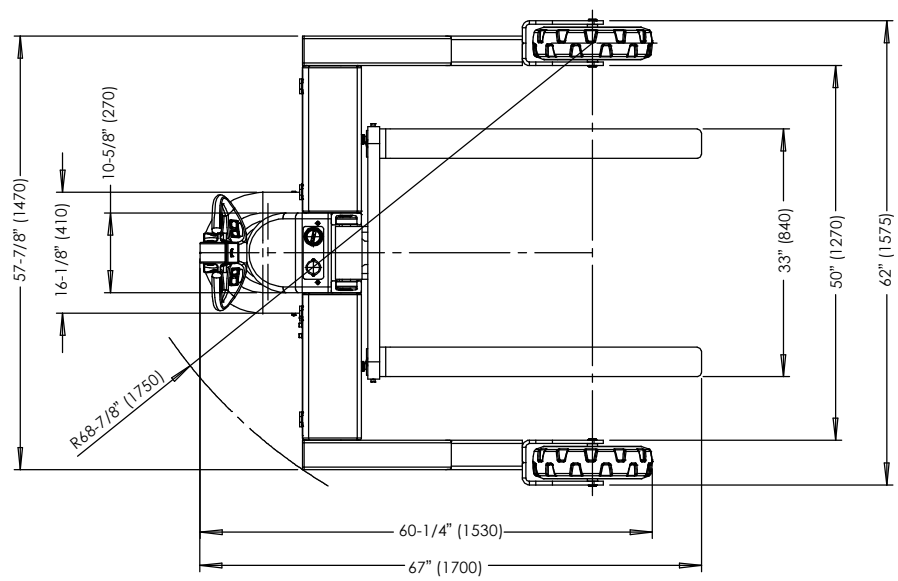
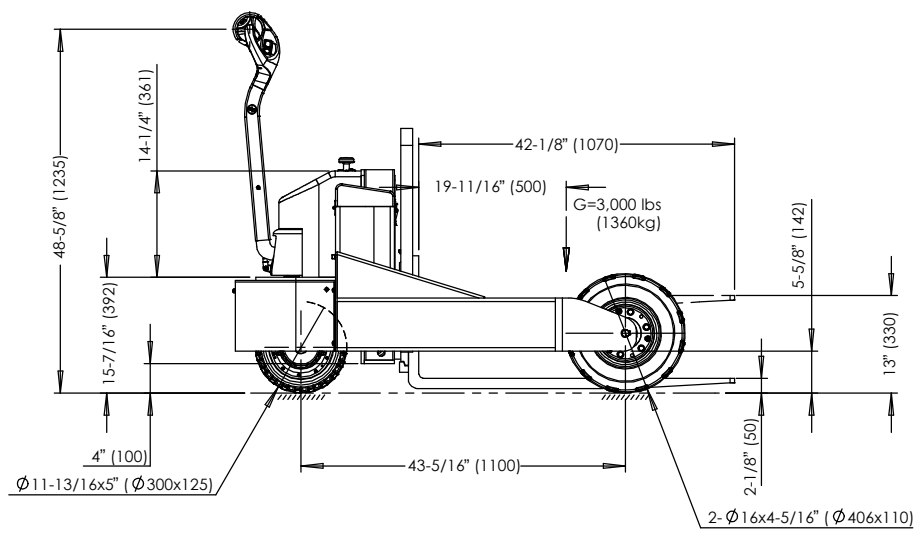


ELECTRIC POWERED ROUGH TERRAIN PALLET TRUCK - RT-EPT-3-48

ANY ADDITIONS, DELETIONS, OR OMISSIONS MUST BE CORRECTED ON THIS DRAWING AS THIS DRAWING WILL BE CONSIDERED ALL INCLUSIVE

DIMENSION TOLERANCE $\pm 1/2"$



ALL GRAPHICS PROVIDED ARE FOR REFERENCE ONLY. IF CERTAIN DIMENSIONS ARE CRITICAL PLEASE VERIFY THOSE DIMENSIONS WITH YOUR SALESPERSON

SPECIFICATIONS

- MODEL NUMBER: RT-EPT-3-48
- CAPACITY: 3,000 LBS
- OVERALL WIDTH: 62"
- OVERALL LENGTH: 67"
- OVERALL HEIGHT: 48 5/8"
- FORK LENGTH: 42 1/8"
- FORK WIDTH: 4"
- LIFT HEIGHT: 13"
- LOWERED HEIGHT: 2 1/8"
- DRIVE MOTOR AC15/1.5KW
- LIFT MOTOR: 24V/0.8KW
- BATTERY: 2x12V/85-95Ah
- CHARGER: 24V/12amp
- TRAVEL SPEED W/O LOAD: 2.3m/h
- TRAVEL SPEED W/ LOAD: 1.8m/h
- TOUGH BAKED IN POWDER COAT
- BLACK & YELLOW FINISH

A P P R O V A L	I, THE UNDERSIGNED, AGREE THAT THE PRODUCT AS REPRESENTED SATISFIES DESIGN AND DIMENSION REQUIREMENTS. I ALSO ACKNOWLEDGE MY DUTY TO CONFIRM PRODUCT AND INSTALLATION COMPLIANCE WITH ALL APPLICABLE FEDERAL, STATE AND LOCAL REGULATIONS AND STANDARDS.	
	UNITS REQUIRING APPROVAL DRAWINGS OR MODIFIED ARE NON-RETURNABLE	
	<input type="checkbox"/> As drawn	<input type="checkbox"/> As marked
	Signed: _____	Date: _____
	Printed Name: _____	
LEAD TIME WILL START UPON RECEIPT OF SIGNED APPROVAL DRAWING		

DISTRIBUTOR'S NAME:		P.O.#
VESTIL MANUFACTURING		X
DRAWN BY: TM		W.O.#
DATE: 10/8/2020		X
REFERENCE: X		SALES: X
SCALE: 1:2		FILE NAME:
QUOTED LEAD TIME: X		RT-EPT-3-48
QUOTE #		X